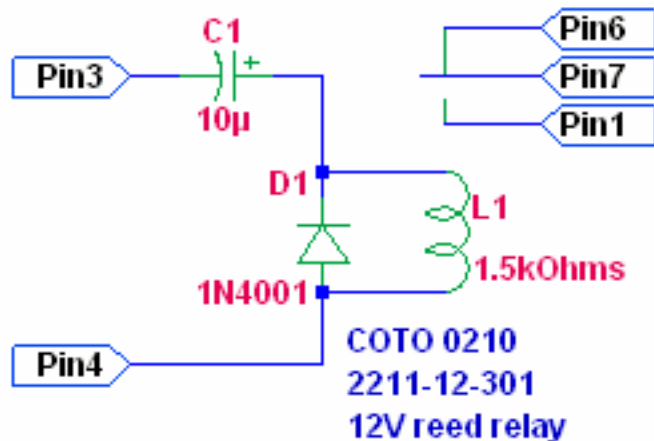


Airpax chopper substitute

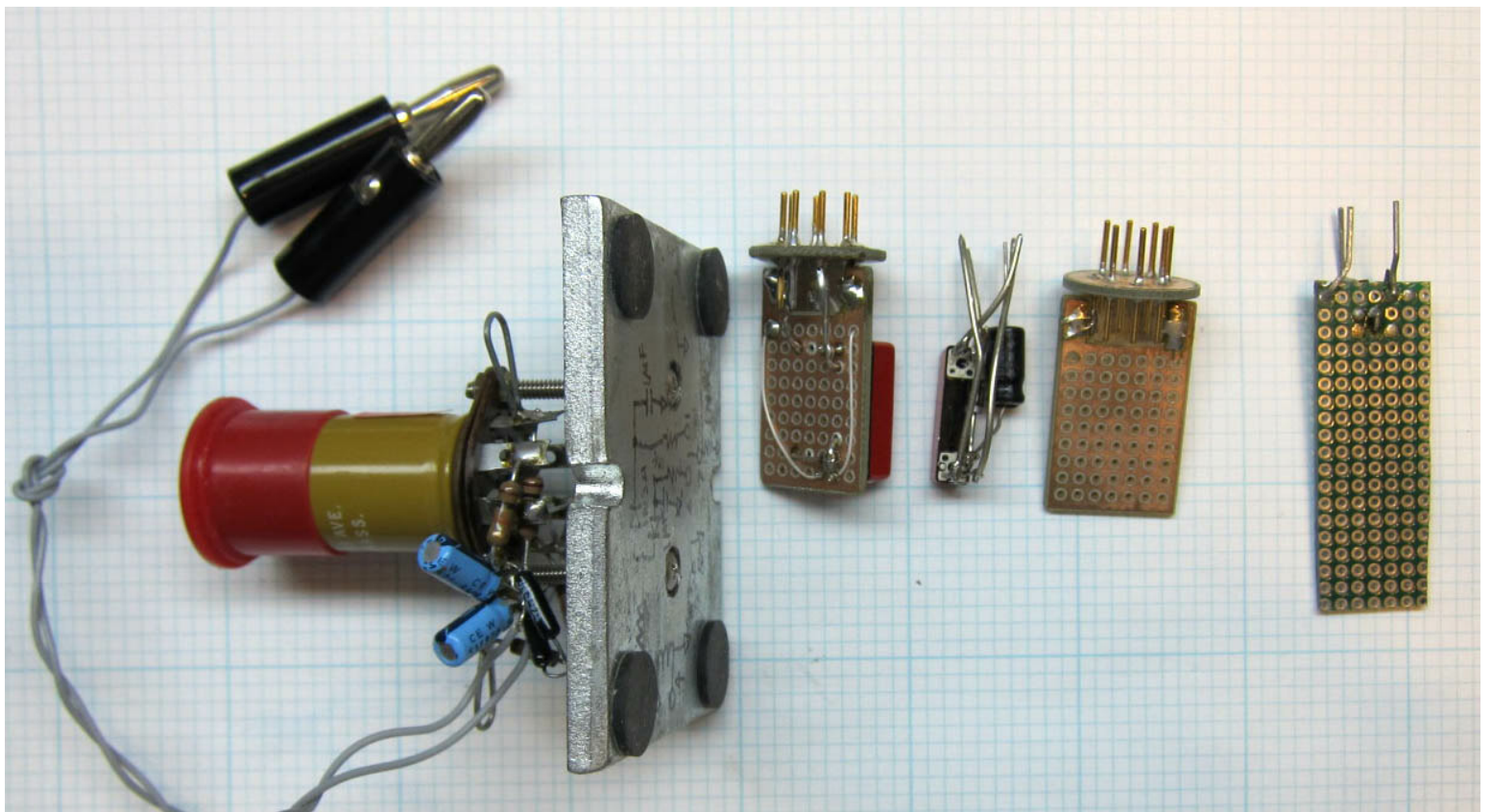
The level shifting Cap-Diode insure
60Hz operation instead of spurious
120Hz operation from 6.3VAC.

Joe Sousa 3-17-2011

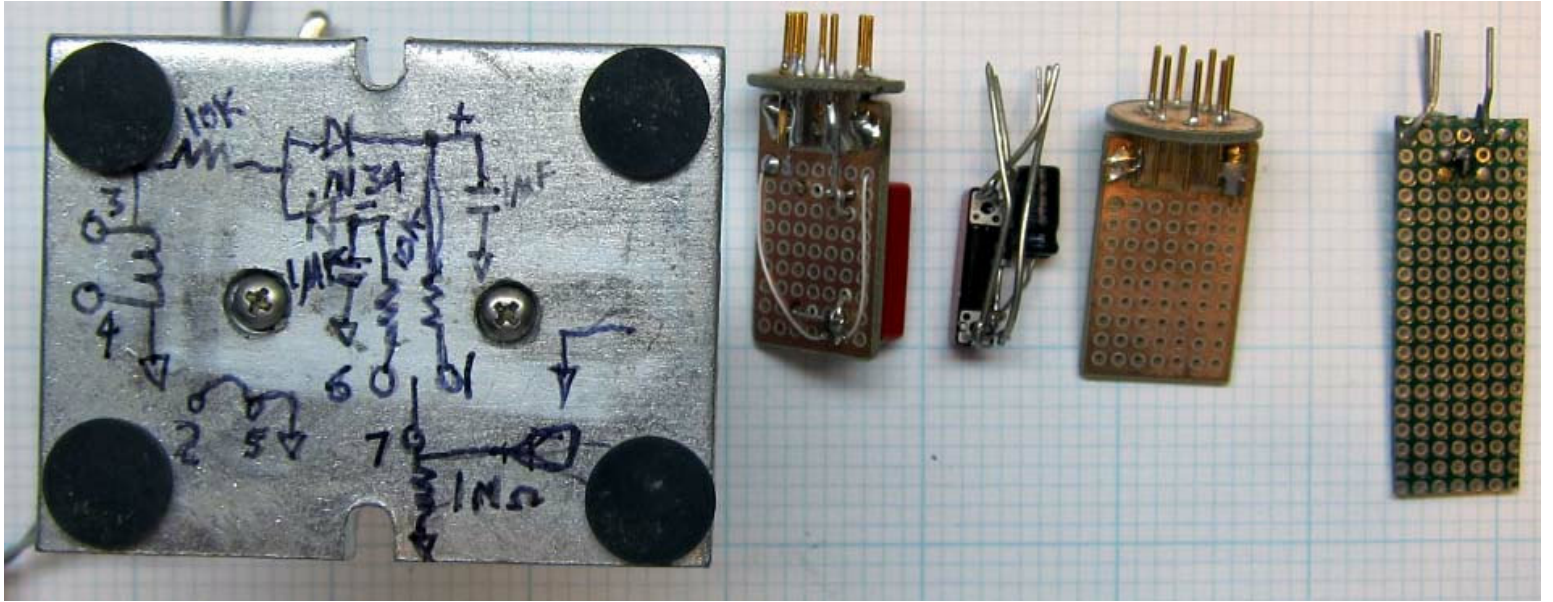




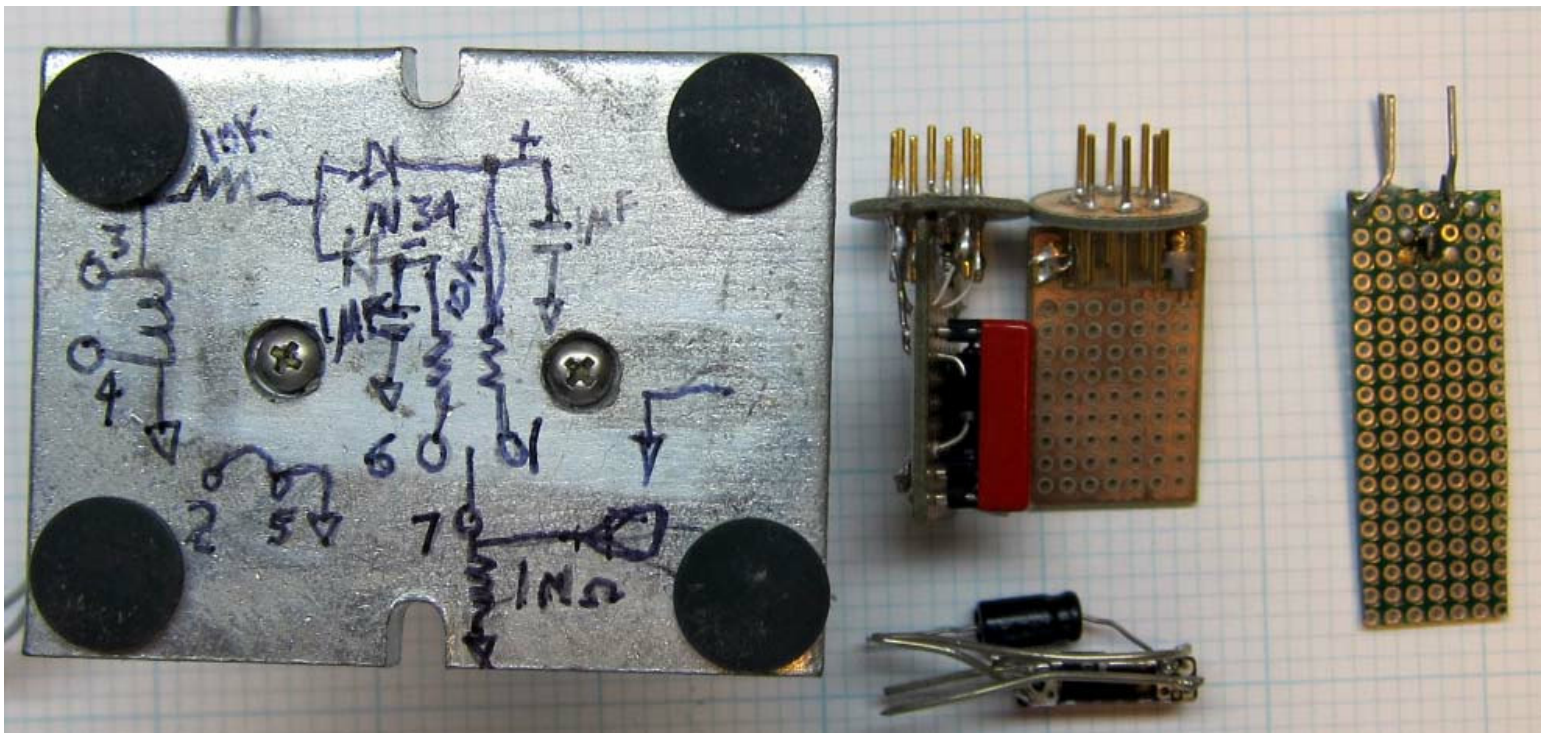
Chopper_tester_and_substitute_1.JPG



Chopper_tester_and_substitute_2.JPG



Chopper_tester_and_substitute_3.JPG



Chopper_tester_and_substitute_4.JPG