

BETA RADIATION COUNTERS

The counters are designed to be operated in various dosimetric and radiometric devices.

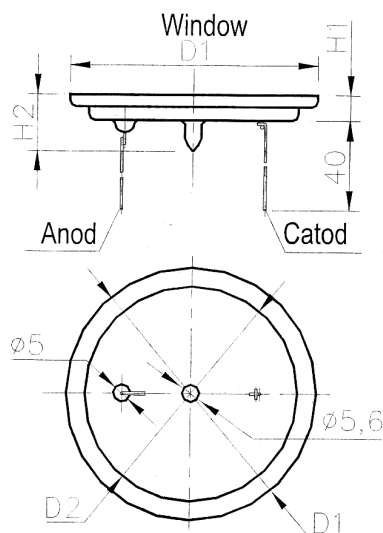
Besides beta-particles, the counters can register alpha-particles and gamma radiation. To register alpha-and beta-particles the counters «Beta-1», «Beta-1-1», «Beta-2», «Beta-2-1», CI8B are provided with a thin mica window, and for register gamma-particles the counters «Beta-2M», «Beta-2M-1» a window metal. The other design peculiarity is a minimal possible cathode surface (in comparison with cylindrical end-window beta-counters) that allows registering alpha-and beta-radiation.

The counters «Beta-1», «Beta-1-1», «Beta-2», «Beta-2-1», «Beta-2M», «Beta-2M-1» and CI8B-1 are produced in a baseless modification, and the counter SI8B is produced in base modifications.

Main Data:

Counter Type	Work. Voltage	Plateau Length/ Inclination	Sensitiv. to Gamma Radiation	Own Back-ground	Efficiency to Beta-Radiation ⁹⁰ Sr	Window Area	Mica Thickness	Operating Temperature Range	Service Life	Overall Dimensions, mm			
	V	V / %N	Puls./μR	Pulses/s	%	cm ²	μm	°C	Pulses	D1	D2	H1	H2
Counters of Soft Beta-Radiation													
Beta-1	400	200/0.25	120	0.6	65	7	10±14	+60±-50	1x10 ¹⁰	44	34	8	20
Beta-1-1	400	200/0.25	120	0.6	65	7	10±14	+60±-50	1x10 ¹⁰	44	34	8	-
Beta-2	400	200/0.25	200	1.0	65	15	10±14	+60±-50	1x10 ¹⁰	56.5	46.2	8	20
Beta-2-1	400	200/0.25	200	1.0	65	15	10±14	+60±-50	1x10 ¹⁰	56.5	46.2	7.5	-
CI8B	400	80/0.3	400	2.0	65	30	14±17	+50±-40	1x10 ¹⁰	80	71	17	30
CI8B-1	400	80/0.3	400	2.0	65	30	14±17	+50±-40	1x10 ¹⁰	80	71	20	20
Counters Gamma-Radiation													
Beta-2M	400	200/0.25	200	1.0			metal	+60±-50	1x10 ¹⁰	56.5	46.2	8	20
Beta-2M-1	400	200/0.25	200	1.0			metal	+60±-50	1x10 ¹⁰	56.5	46.2	9.5	9.5

Overall dimensions of counters «Beta-1», «Beta-2», «Beta-2M»



Overall dimensions of counters «Beta-1-1», «Beta-2-1», «Beta-2M-1»

