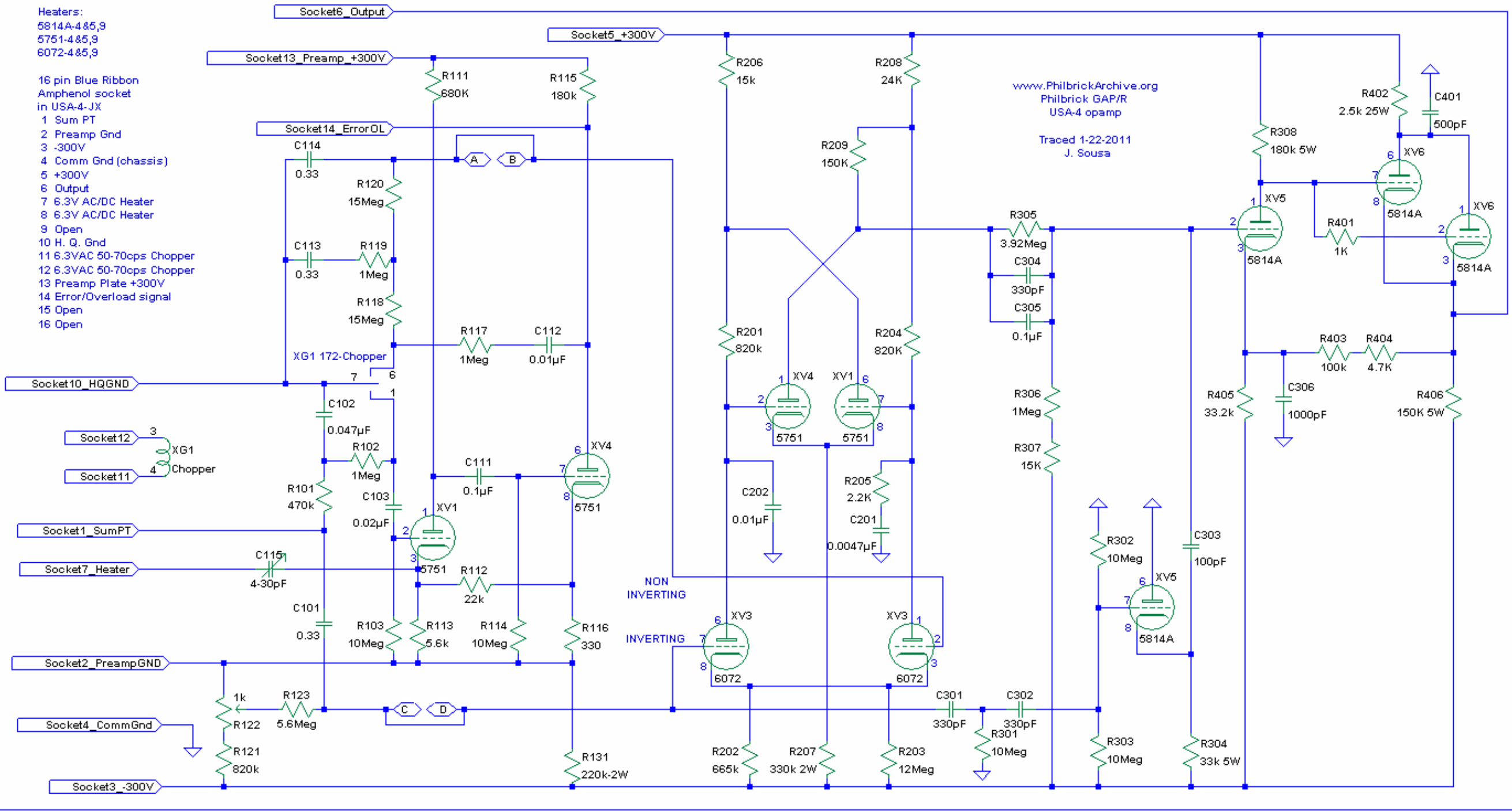


Heaters:
 5814A-4&5,9
 5751-4&5,9
 6072-4&5,9

16 pin Blue Ribbon
 Amphenol socket
 in USA-4-JX
 1 Sum PT
 2 Preamp Gnd
 3 -300V
 4 Comm Gnd (chassis)
 5 +300V
 6 Output
 7 6.3V AC/DC Heater
 8 6.3V AC/DC Heater
 9 Open
 10 H. Q. Gnd
 11 6.3VAC 50-70cps Chopper
 12 6.3VAC 50-70cps Chopper
 13 Preamp Plate +300V
 14 Error/Overload signal
 15 Open
 16 Open



www.PhilbrickArchive.org
 Philbrick GAP/R
 USA-4 opamp
 Traced 1-22-2011
 J. Sousa